

SCREW TO CONNECT COUPLINGS

QSM & QSF, HS SERIES

ISO 14541 SCREW TO CONNECT POPPET COUPLINGS

INTRODUCTION

The HS series couplers are designed primarily for high pressure pulse applications. They are perfectly suited for service conditions in construction plants, machinery and vehicles. For heavy duty, high pressure pulse applications, see the HSC series.

ADVANTAGES

- ✓ Screw connection mechanism avoids use of locking balls and so eliminates the risk of Brinelling (the problem of locking ball indentation in the nose of the probe).
- ✓ Can be connected with up to 50 bar residual pressure in each hydraulic hose line.
- ✓ Self-locking connection mechanism prevents accidental disconnection caused by vibration.
- ✓ Modular construction allows numerous thread/connection options as standard.

MATERIALS

Hardened carbon steel body, Trivalent plated, nitrile seals. Replacement seal kits for the female coupler are available on request (OR-QSF-HS-...)

CONNECTION UNDER PRESSURE

Connection with up to 50 bar residual pressure in the line is possible. **Disconnection of any hydraulic coupling whilst under full system pressure is very dangerous and should not be attempted.**



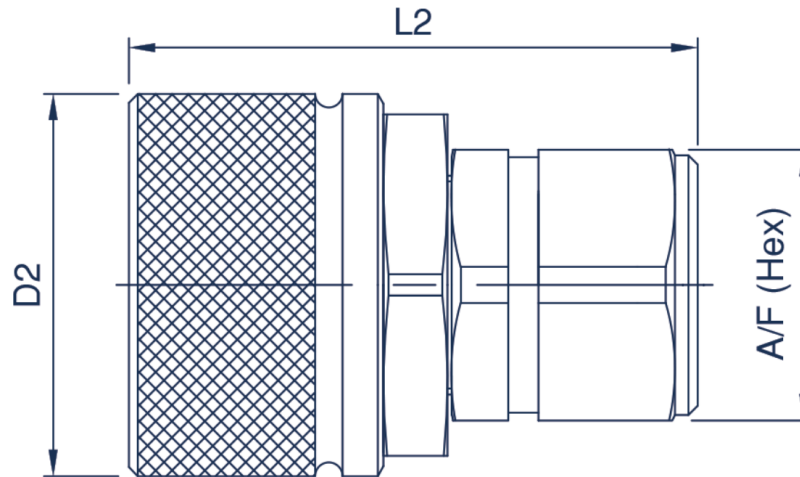
Male

Female

Performance Characteristics	Body Size					
	1/8"	5/16"	3/8"	1/2"	3/4"	1"
Maximum Working Pressure (Coupled)	450 Bar	450 Bar	400 Bar	400 Bar	300 Bar	300 Bar
	6525 PSI	6525 PSI	5800 PSI	5800 PSI	4350 PSI	4350 PSI
Burst Pressure (Coupled)	1800 Bar	1600 Bar	1400 Bar	1500 Bar	1180 Bar	1800 Bar
	26100 PSI	23200 PSI	20300 PSI	21750 PSI	17110 PSI	26100 PSI
Burst Pressure (Male)	1400 Bar	1550 Bar	1200 Bar	1200 Bar	1100 Bar	1200 Bar
	20300 PSI	22475 PSI	17400 PSI	17400 PSI	15950 PSI	17400 PSI
Burst Pressure (Female)	1400 Bar	1750 Bar	1200 Bar	1600 Bar	1500 Bar	1600 Bar
	20300 PSI	25375 PSI	17400 PSI	23200 PSI	21750 PSI	23200 PSI
Rated Flow	12 L/min	23 L/min	45 L/min	106 L/min	189 L/min	288 L/min
	3.2 GPM	6.1 GPM	12 GPM	26.4 GPM	49.9 GPM	76 GPM



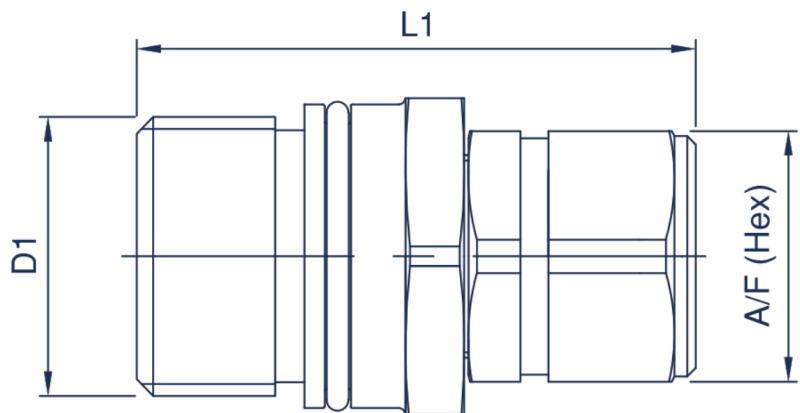
Dimensions



Male Coupler (QSM-...HS)

Part Number	Body Size	Thread	D2	L2*	AF (hex)
QSM-BPF-HS-0404	1/8"	1/4" BSPP F	34.6	56.5	19
QSM-BPF-HS-0806	5/16"	3/8" BSPP F	35	61	24
QSM-BPF-HS-1008	3/8"	1/2" BSPP F	42	65.3	30
QSM-BPF-HS-1212	1/2"	3/4" BSPP F	48.2	78.5	36
QSM-BPF-HS-2012	3/4"	3/4" BSPP F	55.1	88	41
QSM-BPF-HS-2016	3/4"	1" BSPP F	55.1	88	41
QSM-BPF-HS-2520	1"	1-1/4" BSPP F	80	131.5	65

*Length when sleeve is fully extended



Female Coupler (QSF-...HS)

Part Number	Body Size	Thread	D1	L1	AF (hex)
QSF-BPF-HS-0404	1/8"	1/4" BSPP F	M24 x 2	60	22
QSF-BPF-HS-0806	5/16"	3/8" BSPP F	M28 x 2	64.2	24
QSF-BPF-HS-1008	3/8"	1/2" BSPP F	M36 x 2	67	30
QSF-BPF-HS-1212	1/2"	3/4" BSPP F	M42 x 2	85	36
QSF-BPF-HS-2012	3/4"	3/4" BSPP F	M48 x 2	100	50
QSF-BPF-HS-2016	3/4"	1" BSPP F	M48 x 3	100	50
QSF-BPF-HS-2520	1"	1-1/4" BSPP F	M70 x 3	122	85

All dimensions in mm unless otherwise stated. Dimensions shown are for guidance only, if critical contact FC staff.

✓ The right connector
✓ The right price

www.fluidconnectors.com

NZ: +64 9 274 4830
AU: +61 8 9244 8266

